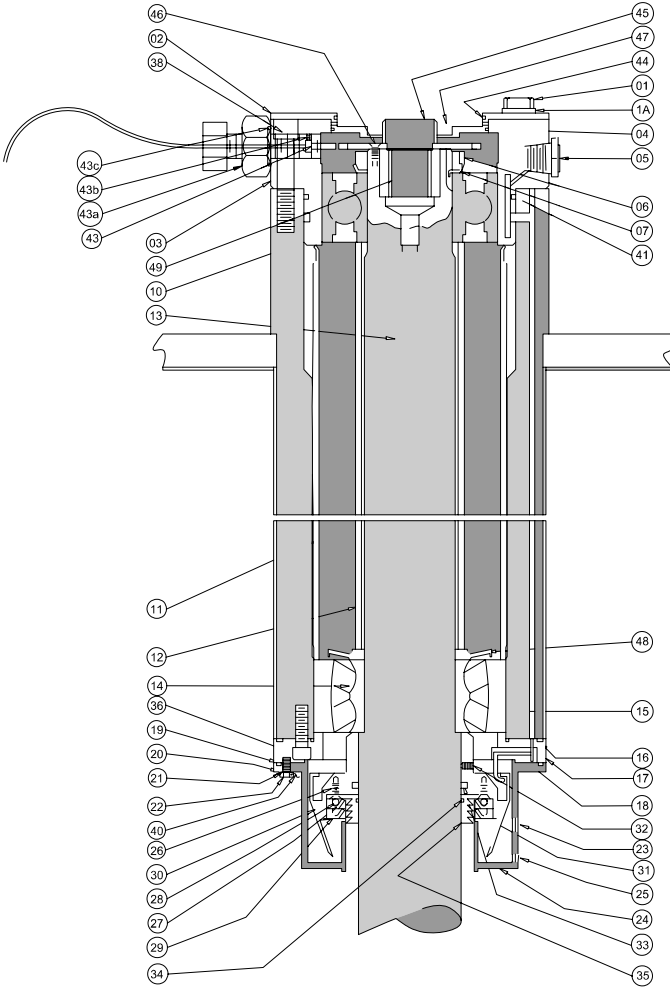


# ATM 48 x 30 Spindle Assembly "Old"



#	Description	Part Number
1	Hex Head Cap Screw .....	7-48-30-1-B-01-C-BT
1a	Lock Washer .....	7-48-30-1-B-1A-C-BT
2	Seal Plate.....	7-48-30-1-C-02-B-BT
3	Bearing Cap .....	7-48-30-1-C-03-B-OL
4	O-Ring – 163.....	7-48-30-1-V-04-C-BT
5	Sight Glass.....	7-48-30-1-S-05-A-BT
6	Lock Nut.....	7-48-30-1-S-06-A-BT
7	Lock Washer .....	7-48-30-1-S-07-A-BT
10	Upper Bearing.....	7-48-30-1-S-10-A-BT
11	Outer Spacer.....	7-48-30-1-C-11-A-BT
12	Inner Spacer .....	7-48-30-1-C-12-A-OL
13	Spindle .....	7-48-30-1-5-13-B-OL
14	Lower Bearing.....	7-48-30-1-S-14-A-OL
15	O-Ring – 268.....	7-48-30-1-V-15-C-BT
16	O-Ring – 275.....	7-48-30-1-T-16-C-BT
17	Housing Cap .....	7-48-30-1-P-17-A-BT
18	Oil Scoop.....	7-48-30-1-C-18-A-BT
19	O-Ring.....	7-48-30-1-T-19-C-BT
20	O-Ring Retainer .....	7-48-30-1-P-20-A-BT
20	O-Ring Retainer .....	7-48-30-1-D-20-A-BT
21	O-Ring – 011.....	7-48-30-1-T-21-C-BT
22	Hex Head Cap Screw .....	7-48-30-1-P-22-C-BT
23	Oil Level Plug .....	7-48-30-1-P-23-A-BT
23	Oil Level Plug.....	7-48-30-1-D-23-A-BT
24	Oil Pot .....	7-48-30-1-P-24-A-OL
25	Oil Drain Plug.....	7-48-30-1-P-25-A-BT
25	Oil Drain Plug.....	7-48-30-1-D-25-A-BT
26	Seal Plate Screw.....	7-48-30-1-O-26-C-BT
27	Seal.....	7-48-30-1-T-27-A-OL
28	O-Ring – 360.....	7-48-30-1-V-28-C-OL
29	Seal.....	7-48-30-1-V-29-A-OL
30	Oil Spinner .....	7-48-30-1-M-30-A-OL
31	Retaining Ring.....	7-48-30-1-S-31-A-OL
32	Set Screw, Oil Spinner.....	7-48-30-1-P-32-C-BT
33	O-Ring – 248.....	7-48-30-1-V-33-C-OL
34	O-Ring – 048.....	7-48-30-1-V-34-C-OL
35	Seal Plate.....	7-48-30-1-T-35-A-OL
35	Seal Plate.....	7-48-30-1-C-35-A-OL
36	Socket Head Cap Screw...7-48-30-1-B-36-C-BT	
38	Socket Head Cap Screw...7-48-30-1-B-38-C-BT	
40	Lock Wire .....	7-48-30-1-P-40-C-BT
41	O-Ring – 174.....	7-48-30-1-V-41-C-BT
43	RPM Probe.....	7-48-30-1-S-43-A-OL
43a	Probe Holder.....	7-48-30-1-F-43-A-OL
43b	Set Screw.....	7-48-30-1-A-43-C-OL
43c	O-Ring – 120.....	7-48-30-1-V-43-C-BT
44	O-Ring – 163.....	7-48-30-1-V-44-C-BT
45	RPM Gear .....	7-48-30-1-1-45-A-BT
45	RPM Gear .....	7-48-30-1-2-45-A-BT
46	Flat Head Screw .....	7-48-30-1-C-46-C-BT
47	Seal.....	7-48-30-1-S-47-A-BT
48	Oil Slinger.....	7-48-30-1-C-48-A-OL
49	Splined Insert .....	7-48-30-1-3-49-A-BT
49	Splined Insert .....	7-48-30-1-4-49-A-BT
50	Vent Assy .....	7-48-30-1-S-50-A-BT

