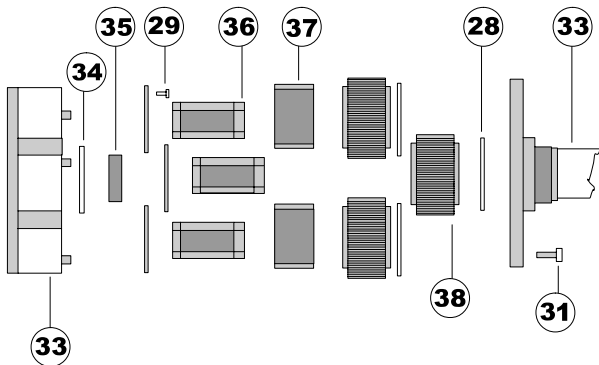
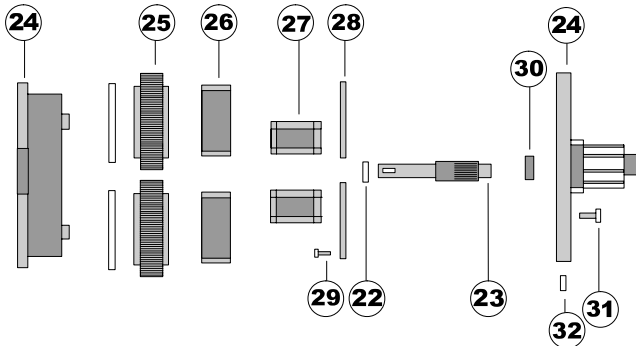
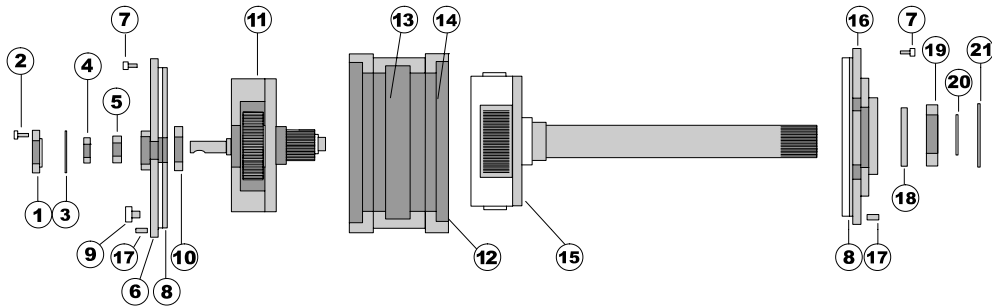


# — Alfa Laval Decanter 2.5 Gearbox Assembly —



#	Description	Part Number
1	Seal Retainer .....	140100
1a	Seal Retainer .....	140101
2	SHSC 1/4 – 20 x 5/8.....	140200
3	Gasket (Optional).....	140300
4	Oil Seal .....	140400
5	Bearing SKF 6203 .....	140500
6	Outside Cover .....	140600
7	SHCS 5/16 – 18 x 3/4 .....	140700
8	O-Ring .....	140800
9	Oil Plug w/ Washer .....	140900
9a	Oil Plug w/ Pipe Plug .....	140901
10	Bearing SKF 6007 .....	141000
11	1st Stage Assembly .....	141100
12	Case .....	141200
13	1st Stage Ring Gear .....	141200
14	2nd Stage Ring Gear .....	141400
15	2nd Stage Assembly .....	141500
16	Inside Cover .....	141600
17	Dowell Pin 6mm x 30mm.....	141700
18	Oil Seal 70 x 90 x 10 .....	141800
19	Bearing Fag 1211 .....	141900
20	Retainer #5100-215 .....	142000
21	Retainer #3000-375 .....	142100
22	Retainer #3100-68 .....	142200
23	1st Stage Pinion .....	142300
23a	1st Stage Pinion .....	142301
24	Pinion Housing .....	142400
25	Planet Gears 1st Stage .....	142500
26	Bronze Bearings .....	142600
27	Axles, 1st Stage.....	142700
28	Thrust Washers .....	142800
29	Screws 6 – 32 x 3/8 LG. FH Brass.....	142900
30	Bearings SKF 6200 .....	143000
31	SCHS 5/16 – 18 x 3/4.....	140700
32	Set Screw .....	143200
33	2nd Stage Housing .....	143300
34	Retainer 5000-156 .....	143400
35	Bearing SKF 6203 .....	140500
36	Axle, 2nd Stage .....	143600
37	Bronze Bearing.....	143700
38	Planet Gear 2nd Stage .....	143800

