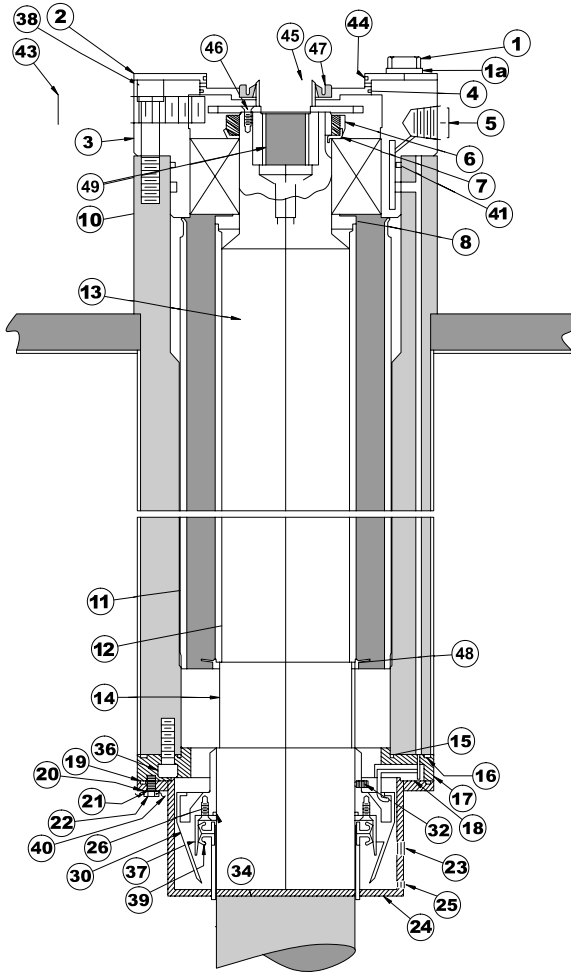


Delaval 48 x 30 Spindle Assembly "New"



#	Description	Part Number
1	Hex Head Cap Screw	7-48-30-1-B-01-C-BT
1a	Lock Washer	7-48-30-1-B-1A-C-BT
2	Seal Plate	7-48-30-1-C-02-B-BT
3	Bearing Cap	7-48-30-1-C-03-B-NW
4	O-Ring	7-4830-1-V-04-C-BT
5	Sight Glass	7-48-30-1-S-05-A-BT
6	Lock Nut	7-48-30-1-S-06-A-BT
7	Lock Washer	7-48-30-1-S-07-A-BT
8	Transition Ring	7-48-30-1-C-08-A-NW
10	Upper Bearing	7-48-30-1-S-10-A-BT
11	Outer Spacer	7-48-30-1-C-11-A-BT
12	Inner Spacer	7-48-30-1-C-12-A-NW
13	Spindle	7-48-30-1-5-13-B-NW
14	Lower Bearing	7-48-30-1-S-14-A-NW
15	O-Ring	7-48-30-1-V-15-C-BT
16	O-Ring	7-48-30-1-V-16-C-BT
17	Housing Cap	7-48-30-1-P-17-A-BT
17	Housing Cap	7-48-30-1-D-17-B-BT
18	Oil Scoop	7-48-30-1-C-18-A-BT
19	O-Ring	7-48-30-1-T-19-C-BT
20	O-Ring Retainer	7-48-30-1-P-20-A-BT
20	O-Ring Retainer	7-48-30-1-D-20-A-BT
21	O-Ring	7-48-30-1-T-21-C-BT
22	Hex Head Cap Screw	7-48-30-1-P-22-C-BT
22	Hex Head Cap Screw	7-48-30-1-D-22-C-BT
23	Oil Level Plug	7-48-30-1-P-23-A-BT
23	Oil Level Plug	7-48-30-1-D-23-A-BT
24	Oil Pot	7-48-30-1-P-24-B-NW
25	Oil Drain Plug	7-48-30-1-P-25-A-BT
25	Oil Drain Plug	7-48-30-1-D-25-A-BT
26	Screw	7-48-30-1-O-26-C-BT
30	Oil Spinner	7-48-30-1-M-30-A-NW
32	Set Screw, Oil Spinner	7-48-30-1-P-32-C-BT
33	O-Ring	7-48-30-1-V-33-C-NW
34	O-Ring	7-48-30-1-V-34-C-NW
36	Socket Head Cap Screw	7-48-30-1-B-36-C-BT
37	Oil Spinner Insert	7-48-30-1-O-37-A-NW
38	Socket Head Cap Screw	7-48-30-1-B-38-C-BT
39	Seal, Reverse Lip	7-48-30-1-V-39-A-NW
39	Seal, Reverse Lip	7-48-30-1-E-39-A-NW
40	Lock Wire	7-48-30-1-P-40-C-BT
41	O-Ring	7-48-30-1-V-41-C-BT
43	RPM Probe	7-48-30-1-S-43-A-NW
43	RPM Probe w/4-wire Conn	3-48-30-1-S-43-A-OO
43c	O-Ring	7-48-30-1-V-43-C-BT
44	O-Ring	7-48-30-1-V-44-C-BT
45	RPM Gear	7-48-30-1-1-45-A-BT
45	RPM Gear	7-48-30-1-2-45-A-BT
46	Flat Head Screw	7-48-30-1-C-46-C-BT
47	Seal	7-48-30-1-S-47-A-BT
48	Oil Slinger	7-48-30-1-C-48-A-NW
49	Splined Insert	7-48-30-1-3-49-A-BT
49	Splined Insert	7-48-30-1-4-49-A-BT
50	Vent Assy	7-48-30-1-S-50-A-BT

