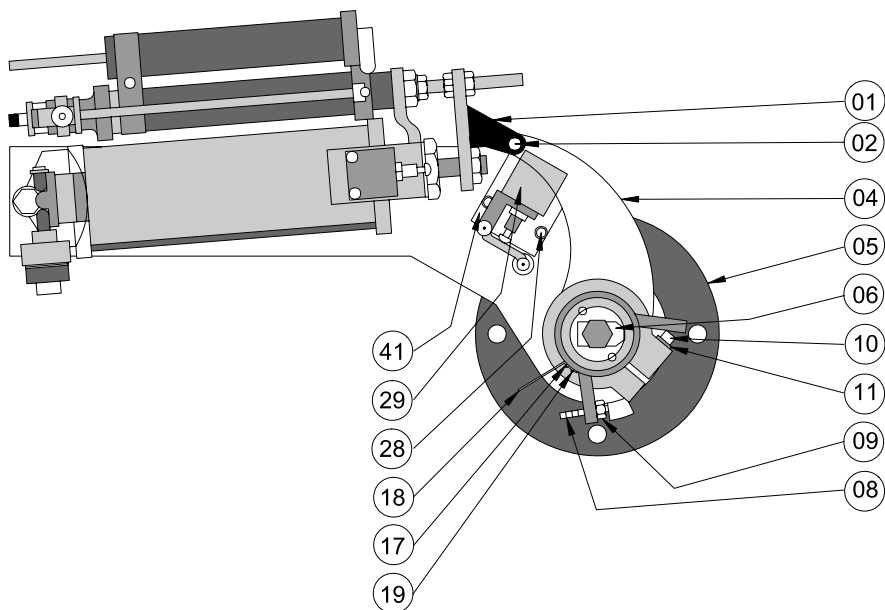
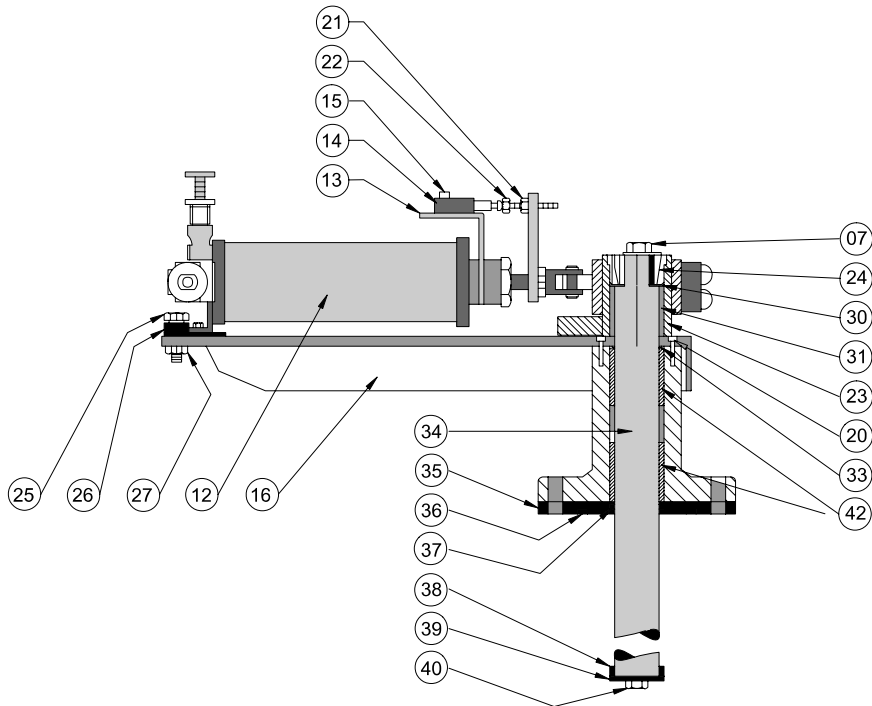
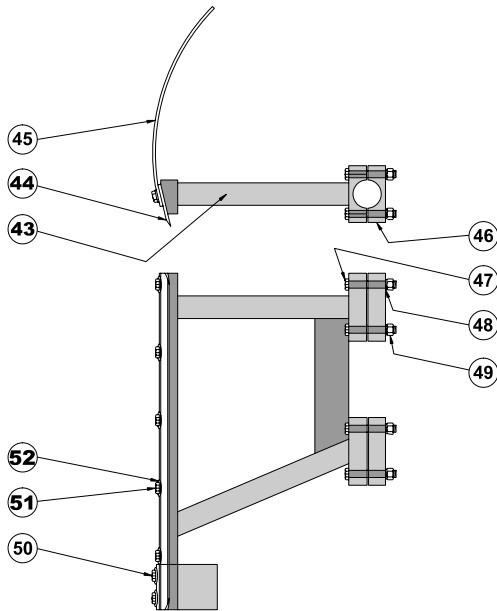


Mark III 48 x 30 Discharge Assembly





#	Description	Part Number
1	Clevis	7-48-30-3-F-01-A-BT
2	Clevis Pin	7-48-30-3-C-02-C-BT
3	Cotter Pin	7-48-30-3-S-03-C-BT
4	Lever Arm	7-48-30-3-F-04-A-BT
4	Lever Arm	7-48-30-3-P-04-A-BT
5	Stand	7-48-30-3-C-05-C-BT
5	Stand	7-48-30-3-P-05-C-BT
5	Stand	7-48-30-3-6-05-C-BT
6	Lock Tab	7-48-30-3-C-06-A-BT
7	Hex Head Cap Screw	7-48-30-3-P-07-C-BT
8	Socket Cap Screw	7-48-30-3-C-08-C-BT
9	Hex Nut	7-48-30-3-C-09-C-BT
10	Socket Cap Screw	7-48-30-3-P-10-C-BT
11	Lock Washer	7-48-30-3-P-11-C-BT
12	Air Motor/Hydrocheck	7-48-30-3-S-12-A-BT
13	Switch Bracket	7-48-30-3-O-13-A-BT
14	Limit Valve	7-48-30-3-S-14-A-BT
15	Socket Cap Screw	7-48-30-3-P-15-C-BT
16	Support Plate	7-48-30-3-F-16-A-BT
16	Support Plate	7-48-30-3-P-16-A-BT
17	Lock Washer	7-48-30-3-P-17-C-BT

#	Description	Part Number
18	Bracket, Switch Actuating	7-48-30-3-P-18-C-BT
18	Bracket, Switch Actuating	7-48-30-3-C-18-C-BT
19	Socket Cap Screw	7-48-30-3-P-19-C-BT
20	Socket Cap Screw	7-48-30-3-P-20-C-BT
21	Hex Nut	7-48-30-3-C-21-C-BT
22	Hex Head Cap Screw	7-48-30-3-C-22-C-BT
23	Hub	7-48-30-3-C-23-A-BT
23	Hub	7-48-30-3-P-23-A-BT
24	Bushing w/Key	7-48-30-3-S-24-C-BT
25	Screw, Swivel	7-48-30-3-C-25-A-BT
26	Swivel Base	7-48-30-3-C-26-A-BT
27	Hex Nut	7-48-30-3-C-27-C-BT
28	Socket Cap Screw	7-48-30-3-P-28-C-BT
29	Limit Valve	7-48-30-3-S-29-A-BT
30	Thrust Washer	7-48-30-3-T-30-A-BT
31	Spacer	7-48-30-3-C-31-A-BT
31	Spacer	7-48-30-3-P-31-A-BT
32	Socket Cap Screw	7-48-30-3-P-32-C-BT
33	Thrust Washer	7-48-30-3-T-33-A-BT
34	Shaft	7-48-30-3-P-34-A-BT
34	Shaft	7-48-30-3-D-34-B-BT
35	Seal Plate	7-48-30-3-P-35-B-BT
35	Seal Plate	7-48-30-3-6-35-B-BT
36	O-Ring	7-48-30-3-T-36-C-BT
36	O-Ring	7-48-30-3-V-36-C-BT
37	O-Ring	7-48-30-3-T-37-C-BT
37	O-Ring	7-48-30-3-V-37-C-BT
38	Spacer	7-48-30-3-P-38-B-BT
38	Spacer	7-48-30-3-D-38-B-BT
39	Washer	7-48-30-3-P-39-B-BT
39	Washer	7-48-30-3-D-39-B-BT
40	Hex Head Cap Screw	7-48-30-3-P-40-C-BT
40	Hex Head Cap Screw	7-48-30-3-D-40-B-BT
41	Bracket, Limit Switch	7-48-30-3-C-41-A-BT
42	Bushing	7-48-30-3-F-42-A-BT
43	Shoe	7-48-30-3-P-43-B-BT
43	Shoe	7-48-30-3-D-43-B-BT
44	Blade, Beveled	7-48-30-3-P-44-A-BT
44	Blade, Beveled	7-48-30-3-D-44-B-BT
44	Blade, Serrated	7-48-30-3-9-44-B-BT
44	Blade, Serrated	7-48-30-3-0-44-B-BT
45	Scraper Blade, Curved	7-48-30-3-P-45-B-BT
45	Scraper Blade, Curved	7-48-30-3-D-45-B-BT
46	Clamp, Shoe	7-48-30-3-P-46-B-BT
46	Clamp, Shoe	7-48-30-3-D-46-B-BT
47	Socket Cap Screw	7-48-30-3-P-47-C-BT
47	Socket Cap Screw	7-48-30-3-D-47-B-BT
48	Lock Washer	7-48-30-3-P-48-C-BT
48	Lock Washer	7-48-30-3-D-48-B-BT
49	Hex Nut	7-48-30-3-P-49-C-BT
49	Hex Nut	7-48-30-3-D-49-B-BT
50	Hex Head Cap Screw	7-48-30-3-P-50-C-BT
50	Hex Head Cap Screw	7-48-30-3-D-50-B-BT
51	Hex Head Cap Screw	7-48-30-3-P-51-C-BT
51	Hex Head Cap Screw	7-48-30-3-D-51-B-BT
52	Lock Washer	7-48-30-3-P-52-C-BT
52	Lock Washer	7-48-30-3-D-52-B-BT

