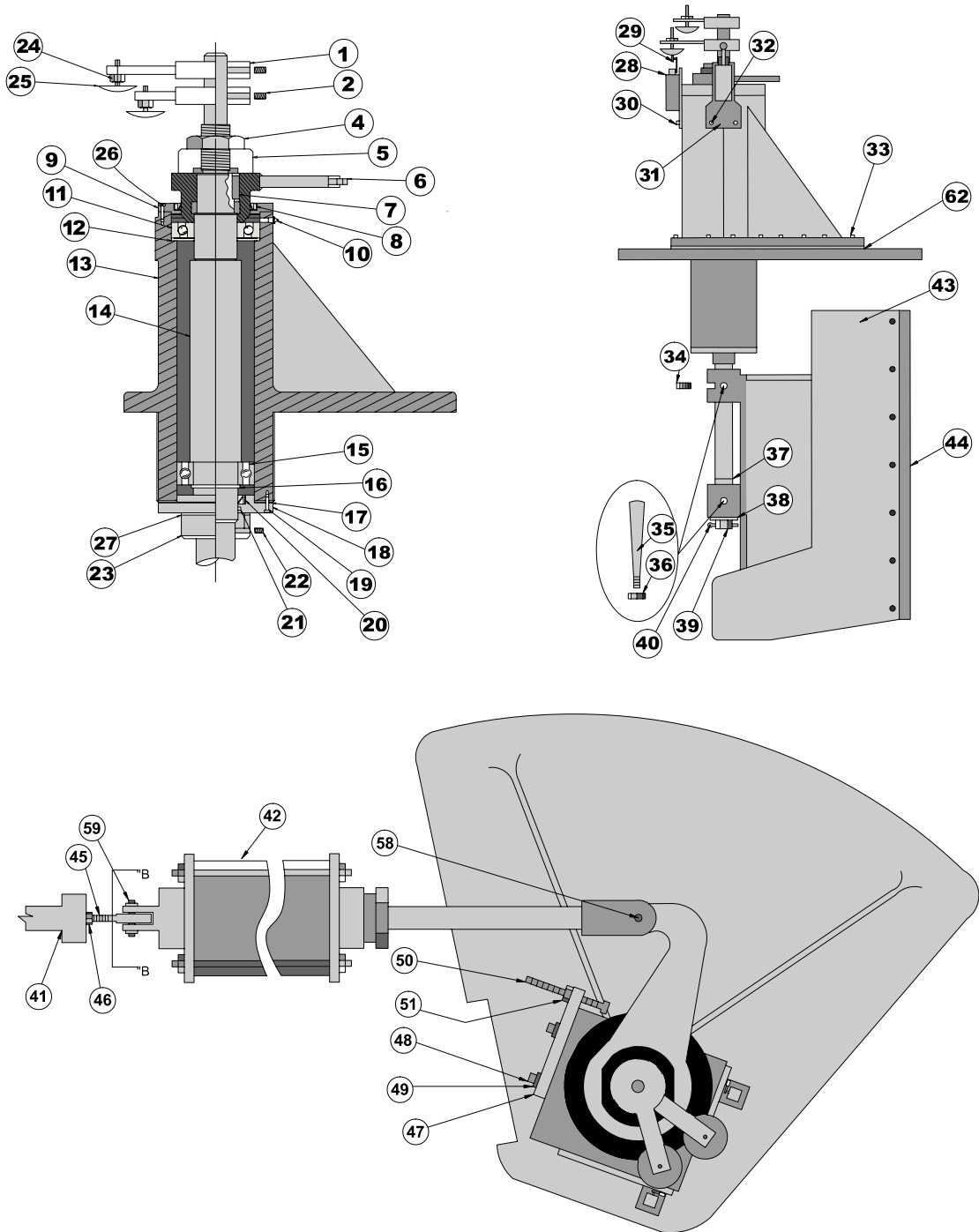
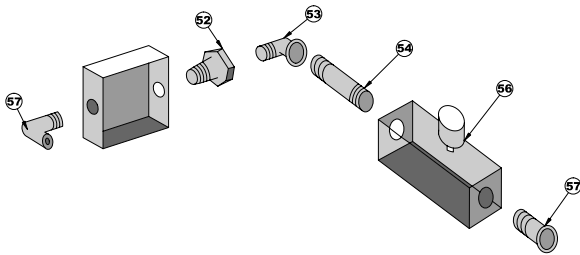
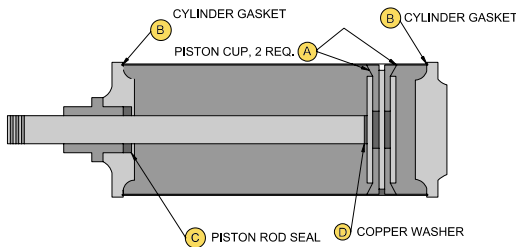


# — Sharples SP-6500 Discharge Assembly —

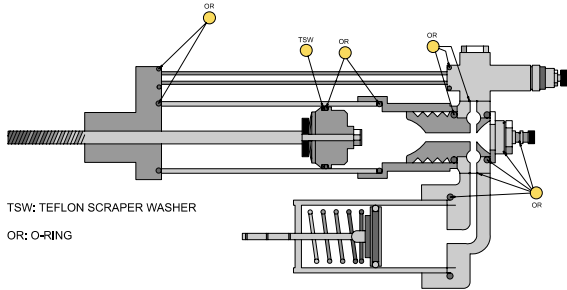




**#60 Air Motor Seal Kit**



**#61 Hydro-Check Seal Kit**



#	Description	Part Number
1	Trip Collar.....	8-48-30-3-C-01-A-00
2	Set Screw.....	8-48-30-3-P-02-C-00
4	Jam Nut.....	8-48-30-3-C-04-A-00
5	Adjustment Nut.....	8-48-30-3-C-05-A-00
6	Lever Arm.....	8-48-30-3-C-06-A-SP
7	Key.....	8-48-30-3-S-07-C-00
8	Upper Seal.....	8-48-30-3-S-08-A-00
9	Seal Cap.....	8-48-30-3-C-09-A-00
10	Grease Fitting.....	8-48-30-3-S-10-C-00
11	Upper Bearing.....	8-48-30-3-S-11-A-00
12	Grease Retainer.....	8-48-30-3-C-12-A-00
13	Housing.....	8-48-30-3-C-13-A-SP
14	Shaft.....	8-48-30-3-P-14-A-00
14	Shaft.....	8-48-30-3-X-14-A-00
15	Lower Bearing.....	8-48-30-3-S-15-A-00
16	Snap Ring.....	8-48-30-3-S-16-A-00
17	Cap Gasket.....	8-48-30-3-T-17-A-00
18	Cap.....	8-48-30-3-P-18-A-00
19	Hex Head Cap Screw.....	8-48-30-3-P-19-C-00
20	Lower Seal.....	8-48-30-3-S-20-A-00
21	O-Ring.....	8-48-30-3-T-21-C-00
22	Set Screw.....	8-48-30-3-P-22-C-00
23	Stop Collar.....	8-48-30-3-P-23-A-00
24	Hex Nut.....	8-48-30-3-C-24-C-00
25	Trip Button.....	8-48-30-3-C-25-A-00
26	Socket Head Cap Screw.....	8-48-30-3-P-26-C-00
27	Gasket.....	8-48-30-3-T-27-A-00
28	Limit Switch.....	8-48-30-3-S-28-A-00
29	Lever Arm.....	8-48-30-3-S-29-A-00
30	Plate, Mounting.....	8-48-30-3-C-30-B-00
31	Plate, Mounting.....	8-48-30-3-C-31-B-00
32	Hex Head Cap Screw.....	8-48-30-3-P-32-C-00
33	Hex Head Cap Screw.....	8-48-30-3-P-33-C-00
34	Set Screw.....	8-48-30-3-P-34-C-00
35	Taper Pin.....	8-48-30-3-P-35-A-00
36	Hex Nut.....	8-48-30-3-P-36-C-00
37	Spacer.....	8-48-30-3-P-37-A-00
38	Washer.....	8-48-30-3-C-38-A-00
39	Nut, Castlrelated.....	8-48-30-3-P-39-A-00
40	Cotter Pin.....	8-48-30-3-P-40-C-00
41	Bracket, Air Motor.....	8-48-30-3-C-41-B-00
42	Air Motor/Hydrocheck.....	8-48-30-3-S-42-A-SP
43	Plow Shoe.....	8-48-30-3-P-43-B-SP
44	Blade.....	8-48-30-3-P-44-A-SP
45	Rod End.....	8-48-30-3-S-45-A-00
46	Hex Nut.....	8-48-30-3-C-46-C-00
47	Plate, Stop Adjusting.....	8-48-30-3-C-47-B-SP
48	Socket Head Cap Screw.....	8-48-30-3-C-48-C-SP
49	Lock Washer.....	8-48-30-3-C-49-C-SP
50	Screw, Adjusting.....	8-48-30-3-C-50-C-00
51	Nut.....	8-48-30-3-C-51-C-00
52	Bushing, Reducing.....	8-48-30-3-G-52-C-00
53	Elbow.....	8-48-30-3-G-53-C-00
54	Nipple.....	8-48-30-3-G-54-C-00
55	Elbow.....	8-48-30-3-G-55-B-00
56	Flow Control Valve.....	8-48-30-3-S-56-A-00
57	Fitting, Pneumatic.....	8-48-30-3-S-57-C-00
58	Clevis Pin, Front.....	8-48-30-3-S-58-A-00
59	Clevis Pin, Rear.....	8-48-30-3-S-59-A-00
60	Air Motor Seal Kit.....	8-48-30-3-S-60-A-00
61	Hydro-Check Seal Kit.....	8-48-30-3-S-61-A-00
62	Gasket.....	8-48-30-3-T-62-A-00