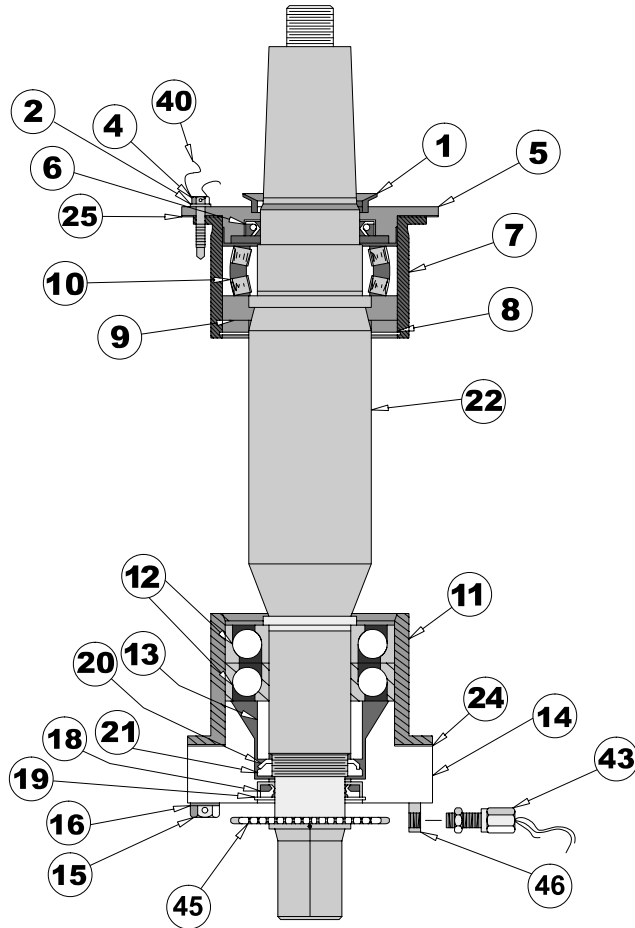


Sharples SP-6500 Spindle Assembly



#	Description	Part Number
1	Basket Seal.....	8-48-30-1-T-01-A-SP
2	Hex Head Cap Screw	8-48-30-1-P-02-A-OO
4	Lock Washer	8-48-30-1-P-04-C-OO
5	Seal Plate.....	8-48-30-1-P-05-A-SP
6	Oil Seal.....	8-48-30-1-S-06-A-OO
7	Top Sleeve	8-48-30-1-C-07-A-SP
8	Retaining Ring.....	8-48-30-1-S-08-A-SP
9	Grease Shelf	8-48-30-1-C-09-A-SP
10	Bearing.....	8-48-30-1-S-10-A-OO
11	Bottom Sleeve.....	8-48-30-1-C-11-A-SP
12	Bearing.....	8-48-30-1-S-12-A-OO
13	Spacer.....	8-48-30-1-C-13-A-OO
14	Cap.....	8-48-30-1-C-14-A-SP

#	Description	Part Number
15	Hex Head Cap Screw	8-48-30-1-C-15-C-OO
16	Lock Washer	8-48-30-1-C-16-C-OO
18	Oil Seal.....	8-48-30-1-S-18-A-OO
19	Retaining Ring.....	8-48-30-1-S-19-A-OO
20	Lock Washer	8-48-30-1-S-20-A-OO
21	Lock Nut.....	8-48-30-1-S-21-A-OO
22	Shaft.....	8-48-30-1-C-22-B-OO
24	Gasket.....	8-48-30-1-J-24-A-OO
25	Gasket.....	8-48-30-1-J-25-A-OO
40	Lock Wire	8-48-30-1-P-40-C-OO
43	Probe.....	8-48-30-1-S-43-A-OO
45	RPM Gear	8-48-30-1-C-45-A-OO
46	Bracket, Probe	8-48-30-1-C-46-A-OO

