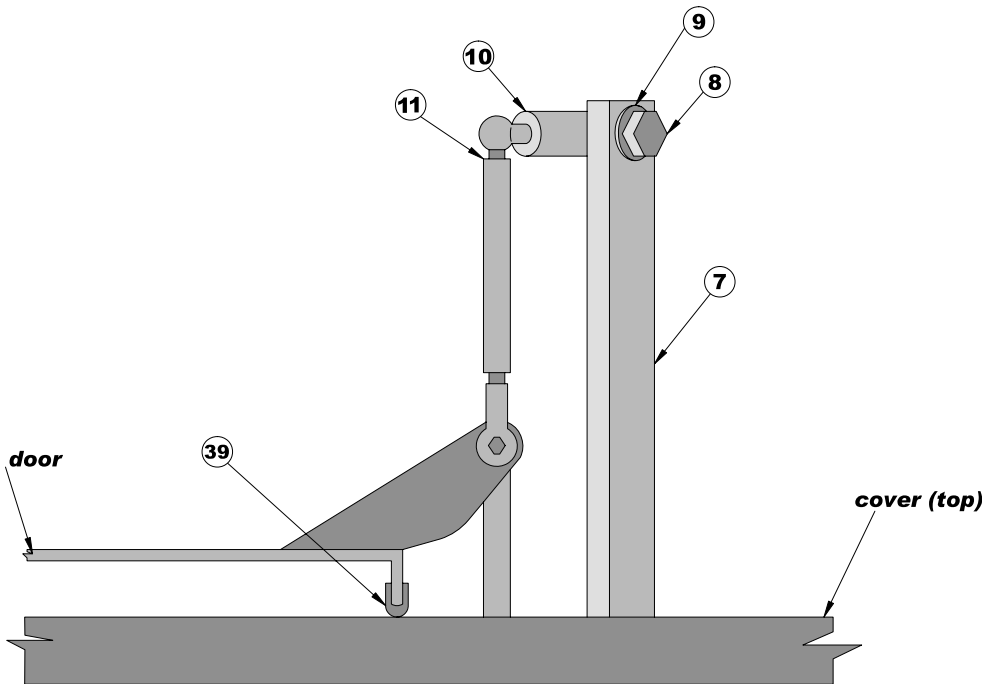
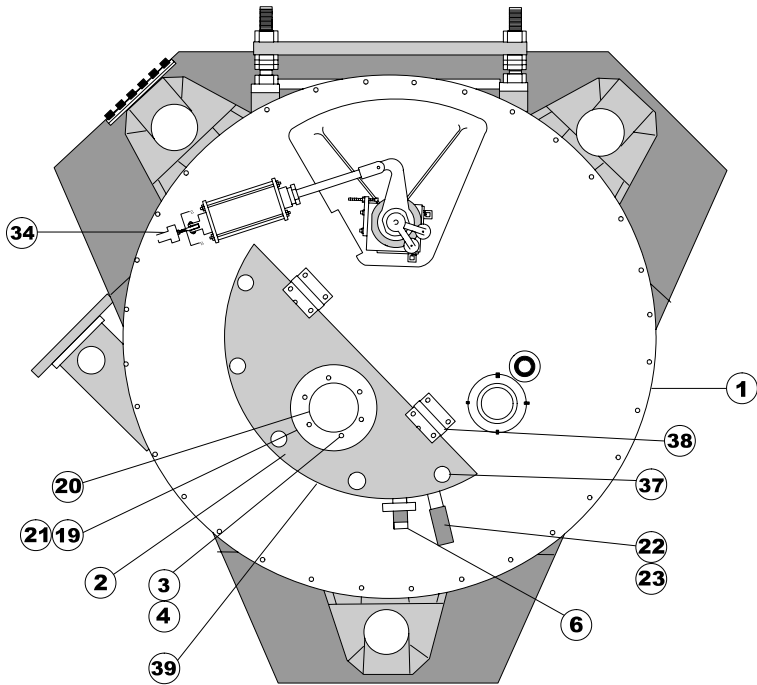
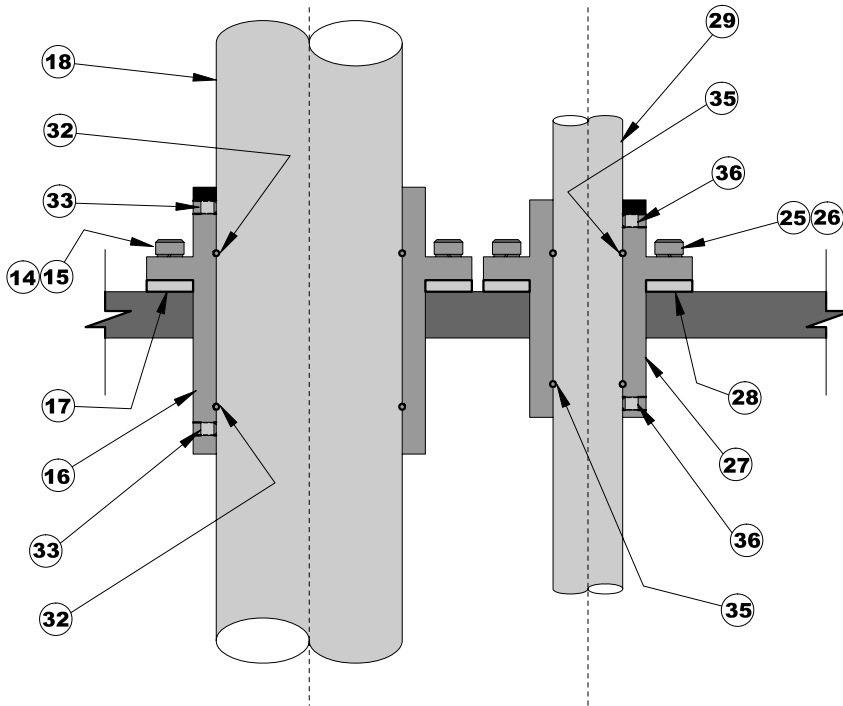


— Sharples SP-6500 Top Cover Assembly —





#	Description	Part Number
1	Cover.....	8-48-30-4-P-01-B-SP
2	Inspection Door.....	8-48-30-4-P-02-B-SP
3	Weldment Stud.....	8-48-30-4-P-03-C-OO
4	Hex Nut.....	8-48-30-4-P-04-C-OO
6	Cover Lock Cylinder.....	8-48-30-4-S-06-A-OO
7	Bracket, Gas Shock.....	0-00-00-4-O-07-B-OO
8	Hex Head Cap Screw.....	1-00-00-4-P-08-C-OO
9	Lock Washer.....	1-00-00-4-P-09-C-OO
10	Spacer, Gas Shock.....	0-00-00-4-O-10-A-OO
11	Gas Shock.....	0-00-00-4-S-11-A-OO
14	Socket Head Cap Screw.....	8-48-30-4-P-14-C-SP
15	Lock Washer.....	8-48-30-4-P-15-C-SP
16	Holder, Feed Pipe.....	8-48-30-4-P-16-A-OO
17	Gasket, Feed Pipe.....	8-48-30-4-T-17-A-OO
18	Feed Pipe.....	8-48-30-4-P-18-B-OO
19	Frame, Sight Glass.....	0-00-00-4-P-19-A-OO
20	Sight Glass.....	0-00-00-4-S-20-A-OO

#	Description	Part Number
21	Gasket, Sight Glass.....	0-00-00-4-T-21-B-OO
22	Limit Switch.....	8-48-30-4-S-22-A-OO
23	Lever Arm.....	8-48-30-4-S-23-A-OO
25	Socket Head Cap Screw.....	8-48-30-4-P-25-C-OO
26	Lock Washer.....	8-48-30-4-P-26-C-OO
27	Holder, Rinse Pipe.....	8-48-30-4-P-27-A-OO
28	Gasket, Rinse Pipe.....	8-48-30-4-T-28-A-OO
29	Rinse Pipe.....	8-48-30-4-P-29-B-OO
30	Spray Nozzle.....	0-00-00-4-P-30-A-OO
30	Spray Nozzle.....	0-00-00-4-K-30-A-OO
32	O-Ring.....	8-48-30-4-V-32-C-OO
33	Set Screw.....	8-48-30-4-P-33-C-OO
34	Bracket, Air Motor.....	8-48-30-4-C-34-B-OO
35	O-Ring.....	8-48-30-4-V-35-C-OO
36	Set Screw.....	8-48-30-4-P-36-C-OO
37	Knob.....	8-48-30-4-N-37-A-SP
38	Hinge.....	8-48-30-4-P-38-B-SP

