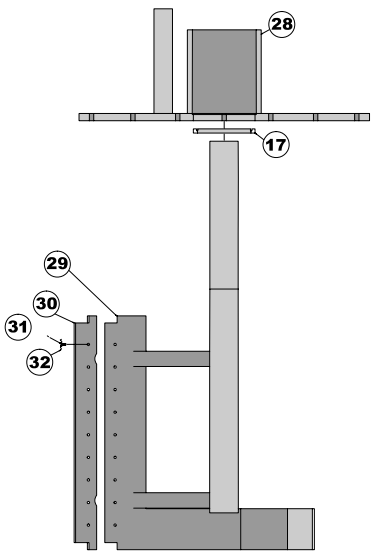
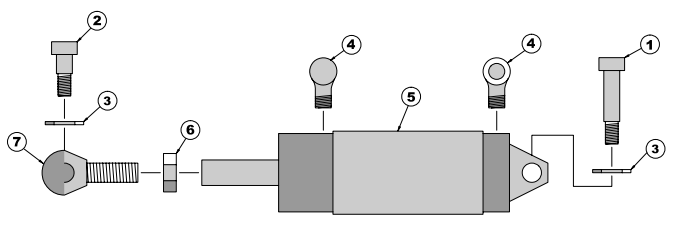
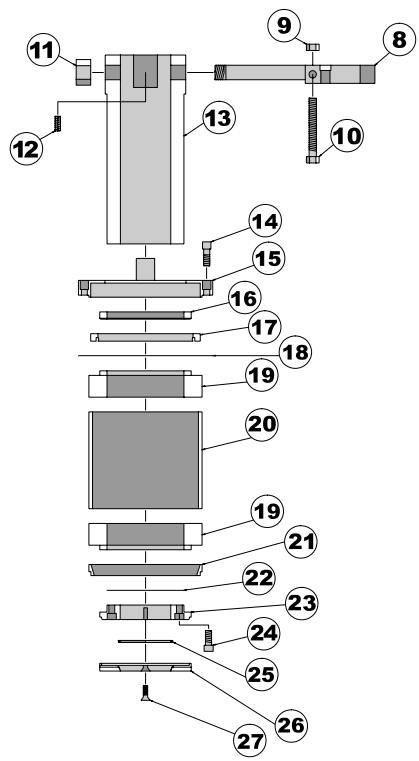


— Tolhurst III 48 x 30 Discharge Assembly —



#	Description	Part Number
1	Shoulder Bolt	9-48-30-3-S-01-B-00
2	Shoulder Bolt	9-48-30-3-S-02-B-00
3	Washer, Flat	9-48-30-3-C-03-B-00
4	Fytting, Hydraulic	9-48-30-3-S-04-B-00
5	Cylinder, Hydraulic	9-48-30-3-S-05-B-00
6	Nut, Jam	9-48-30-3-C-06-B-00
7	Eye Bolt	9-48-30-3-S-07-B-00
8	Lever Arm	9-48-30-3-C-08-B-00
9	Nut, Jam	9-48-30-3-C-09-B-00
10	Bolt, Adjusting	9-48-30-3-C-10-B-00
11	Nut	9-48-30-3-C-11-B-00
12	Screw, Set	9-48-30-3-C-12-B-00
13	Adapter Sleeve	9-48-30-3-C-13-B-00
14	Socket Head Cap Screw	9-48-30-3-B-14-B-00
15	Cap, Seal	9-48-30-3-C-15-B-00
16	Spacer, Seal	9-48-30-3-C-16-B-00
17	Seal	9-48-30-3-S-17-B-00
18	Gasket	9-48-30-3-T-18-B-00
19	Bearing	9-48-30-3-S-19-B-00
20	Spacer, Bearing	9-48-30-3-C-20-B-00
21	Ring, Seat	9-48-30-3-C-21-B-00
22	Shim	9-48-30-3-S-22-B-00
23	Cap, Bearing	9-48-30-3-C-23-B-00
24	Socket Head Cap Screw	9-48-30-3-B-24-B-00
25	Seal, Wiper	9-48-30-3-T-25-B-00
26	Cap, Seal-Lower	9-48-30-3-P-26-B-00
27	Screw, Flat Head	9-48-30-3-P-27-B-00
28	Base	9-48-30-3-C-28-B-00
29	Shoe/Shaft Assembly	9-48-30-3-P-29-B-00
30	Blade	9-48-30-3-P-30-B-00
31	Hex Head Cap Screw	9-48-30-3-P-31-B-00
32	Wire, Safety	9-48-30-3-P-32-B-00

