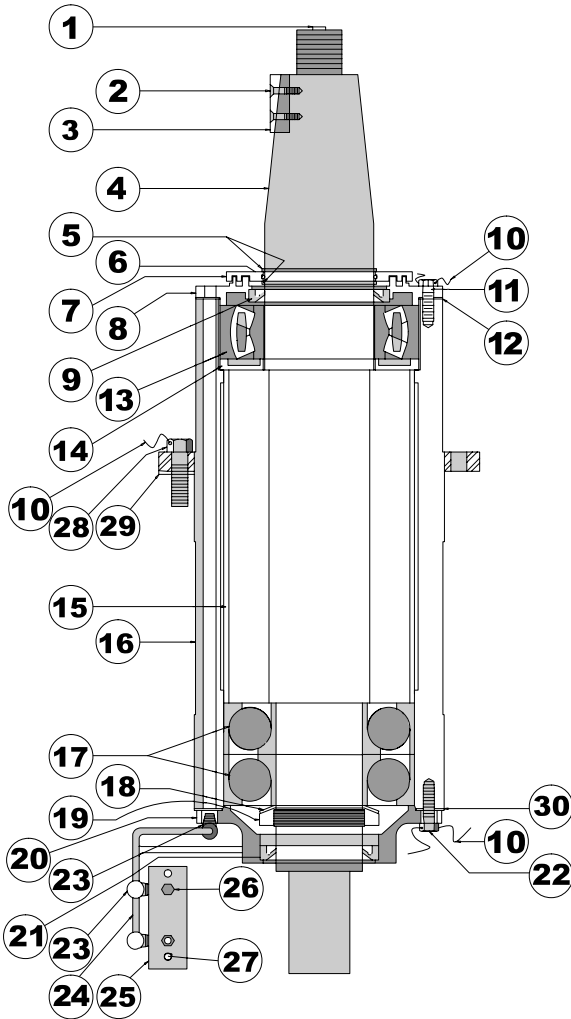


# Tolhurst 48 x 30 Spindle Assembly



#	Description	Part Number
2	Screw, Flat Head.....	9-48-30-1-S-02-C-00
3	Key .....	9-48-30-1-S-03-C-00
4	Shaft.....	9-48-30-1-S-04-B-00
5	Retaining Ring.....	9-48-30-1-O-05-A-00
6	O-Ring .....	9-48-30-1-T-06-C-00
7	Flinger .....	9-48-30-1-P-07-B-00
8	Bearing Cap, Top .....	9-48-30-1-P-08-B-00
9	Seal .....	9-48-30-1-S-09-B-00
10	Lock Wire .....	9-48-30-1-P-10-C-00
11	Hex Head Cap Screw .....	9-48-30-1-P-11-C-00
12	Gasket.....	9-48-30-1-S-12-C-00
13	Bearing Upper .....	9-48-30-1-S-13-B-00
14	Spacer, Bearing .....	9-48-30-1-C-14-B-00
15	Sleeve .....	9-48-30-1-C-15-B-00
16	Housing .....	9-48-30-1-S-16-B-00
17	Bearing, Lower.....	9-48-30-1-S-17-B-00
18	Lock Washer .....	9-48-30-1-S-18-B-00
19	Lock Nut.....	9-48-30-1-S-19-B-00
20	Cap, Bottom Brg .....	9-48-30-1-C-20-B-00
21	Seal .....	9-48-30-1-S-21-B-00
22	Hex Head Cap Screw .....	9-48-30-1-C-22-C-00
23	Fitting .....	9-48-30-1-G-23-C-00
24	Tubing .....	9-48-30-1-L-24-C-00
25	Plate, Mounting .....	9-48-30-1-C-25-B-00
26	Grease Fitting.....	9-48-30-1-S-26-C-00
27	Socket Head Cap Screw...	9-48-30-1-C-27-C-00
28	Hex Head Cap Screw .....	9-48-30-1-P-28-C-00
29	Gasket.....	9-48-30-1-S-29-B-00
30	Gasket.....	9-48-30-1-S-30-B-00

